



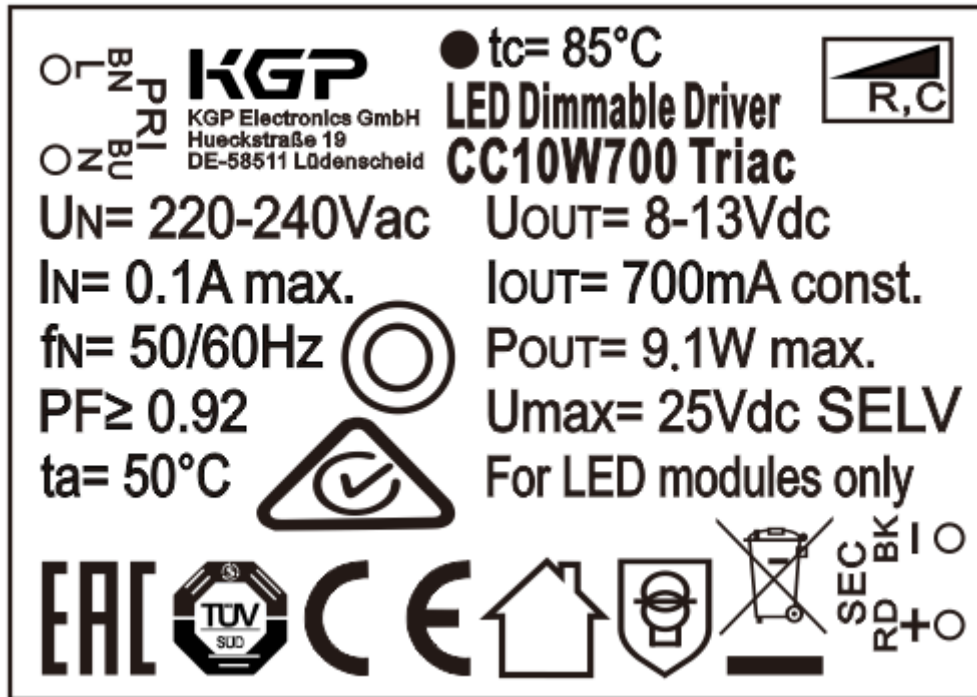
Model	Output Current	Input Current	Input Power	Output Power Range	PF	Efficiency	Output Voltage	No load Voltage
CC10W180 Triac	180mA	0.1A	15W	6.48-9W	0.92	80%	36-50V	65V
CC10W200 Triac	200mA	0.1A	15W	7.2-10W	0.92	80%	36-50V	65V
CC10W250 Triac	250mA	0.1A	15W	6.75-10W	0.92	80%	27-40V	55V
CC10W300 Triac	300mA	0.1A	15W	5.7-9W	0.92	80%	19-30V	45V
CC10W350 Triac	350mA	0.1A	15W	6.65-9.8W	0.92	80%	19-28V	40V
CC10W400 Triac	400mA	0.1A	15W	5.2-8.4W	0.92	80%	13-21V	35V
CC10W450 Triac	450mA	0.1A	15W	5.85-9.45W	0.92	80%	13-21V	35V
CC10W500 Triac	500mA	0.1A	15W	6.5-10W	0.92	80%	13-20V	35V
CC10W550 Triac	550mA	0.1A	15W	4.4-7.15W	0.92	78%	8-13V	25V
CC10W600 Triac	600mA	0.1A	15W	4.8-7.8W	0.92	78%	8-13V	25V
CC10W650 Triac	650mA	0.1A	15W	5.2-8.45W	0.92	78%	8-13V	25V
CC10W700 Triac	700mA	0.1A	15W	5.6-9.1W	0.92	78%	8-13V	25V

### 1. Parameters

category	Item	Technical Norm
Features	Output Type	Constant Current
	Dimming Type	Phase dimming
	Dimming Range	5%-100%
	IP Grade	IP44
	Insulation Class	Class II
Input	Rated Input Voltage	220-240VAC
	Range of Input Voltage	198-264VAC
	Frequency	50/60Hz
	Input Current	≤0.1A (198VAC, full load)
	Input Power	≤ 15W (230VAC, full load)
	Power Factor	≥0.92 (230VAC, full load)
	No-load Power Consumption	≤0.5W @230VAC
	Inrush Current	≤10A/400us (230VAC, Full-load)

	Connected quantity of 16A Breaker	32pcs/type B ; 51pcs/type C @ 230Vac
Output	Current Accuracy	±5%
	Max. Output Power	10W
	Started Delay Time	≤0.5S (230VAC, full load)
	Current Ripple	±5% ((Imax-Imin) / (Imax+Imin))
Protection	Short Circuit Protection	Auto Recovery
	Overload Protection	Auto Recovery
	No-load Protection	Auto Recovery
	Insulation voltage	I/P to O/P , 3.75KVac/1min
	Insulation resistance	>100M ohm @ 500VDC
	Leakage current	I/P to O/P < 250 μ A
Environment	Ta/Operation Temperature	-20....+50 °C
	Ts/Storage Temperature	-25....+85 °C
	Tc/Enclosure Temperature	85 °C
	Humidity	10%....90%RH
	Atmosphere	86-108KPa
Construction	Connection Method	Direct Lead
	Installation	Build-in
	PRI Wire preparation	0.5-1.5□
	SEC Wire preparation	0.5-1.5□
	Dimension	58.2*36*20mm (L*W*H)
Standards	Certification	TUV、CE、SAA
	Safety Standards	EN61347-1:2015,EN61347-2-13:2014/A1:2017, EN62493:2015, AS/NZS IEC61347.2.13:2013, AS/NZS 61347.1:2016
	EMC Standards	EN55015:2013/A1:2015,EN61000-3-2:2014,EN 61000-3-3:2013,EN61547:2009
	Performance	EN62384
	Surge	L-N/ 1KV
Others	RoHS	complied to 2011/65/EU
	Life Time	50000h @50°C (Ta) / @85°C (Tc)
	Warranty	5years , F.R. < 10000ppm
<b>Remark</b> 1. All Parameters, if not specified, are measured at 230VAC/50Hz and 25 °C ambient temperature. 2. LED Driver is a component of the luminaires. Luminaires and wire layout will affect the EMC, please check the EMC with end products again.		

### 2. Label (For example)

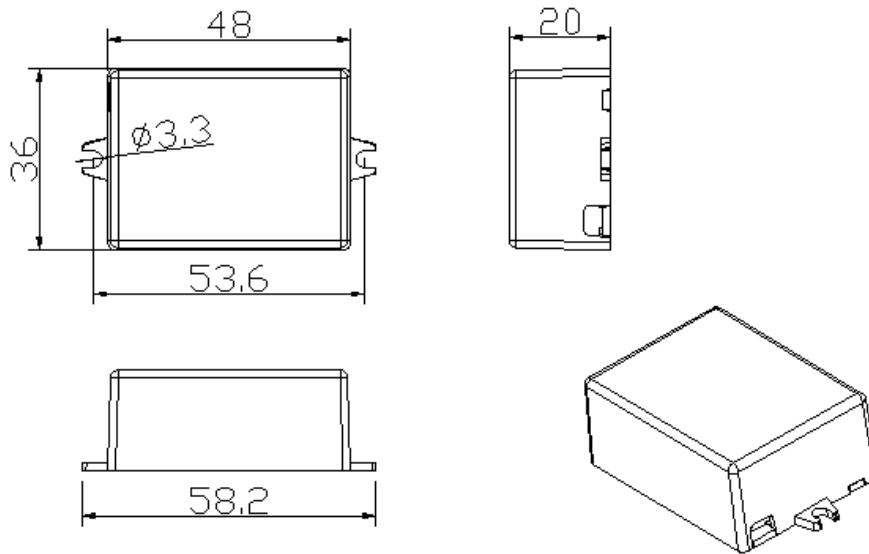


### 3. Trailing Edge Dimmer list approved by KGP

Manufacturer	Model	Q'ty of parallel connection
ABB	6519 U	15
ABB	6526 U	13
JUNG	1224 LED UDE	14
Berker	2861	10
JUNG	254 UDIE 1	10
JUNG	225 TDE	14
EGANT	U321V2	15
Schneider	SBD200LED	13
Schneider	SBD315RC	14
Merten	SBD200LED	13
Berker	2874	12
Eetako	EUD61NPL-230V	12

**Leading Edge Dimmer list only on request -/ or confirmed by KGP Electronics**

### 4. Dimension (Unit: mm)



### 5. Packing information

Carton L*W*H(mm)	Pcs/Carton	Net weight/ Pcs(kg)	Net weight/ Carton(kg)	Gross weight / Carton(kg)
450*240*200	150	0.065	9.75	10.5

### 6. Wiring Diagram

